


BriskHeat® SRX Hazardous-Area Silicone Rubber Heating Blankets

Product Highlights

- ✓  **Class I Division 2 Groups A, B, C, and D**
Class II Division 2, Groups F and G
- ✓ Suitable for large range of surfaces like tanks, hoppers, conveyors, silos, etc.
- ✓ Exceptional durability
- ✓ Moisture and chemical resistant
- ✓ Easy peel 'n stick pressure sensitive adhesive backing option
- ✓ Grounded heating element meets NEC 427.23

Moisture and Chemical Resistant

Temperatures up to



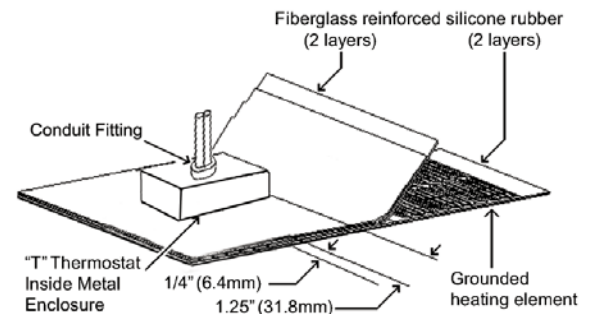
292°F (145°C)

Safe for Hazardous Areas



Specifications:

- 0.75" (19mm) conduit fitting
- High-limit thermostat designed to keep blanket below NEC article 500 T-rating
T3: 292°F (145°C)
T4A: 158°F (70°C)
- Silicone rubber power leads 12" (305mm) long
- Power density of 2.5 watts/in² (.004 watts/mm²)
- Patented grounded heating element is laminated between two layers of 23 mil and two layers 25 mil fiberglass reinforced silicone rubber
- Nominal silicone rubber density of 26 oz/yd² (881 grams/m²) per layer
- Exposure temperature range: -60°F to 400°F (-51°C to 204°C)
- Dielectric strength of over 2000 volts
- Moisture, chemical, and radiation resistant
- Suitable for use on metal surfaces
- 120 or 240VAC

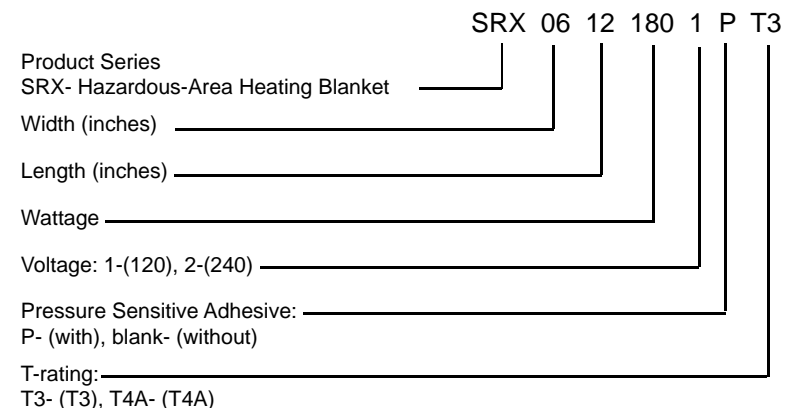


Ordering Information:

Standard Sizes and Wattage

Width in (mm)	Length in (mm)	Total Watts
6 (152)	12 (305)	180
6 (152)	24 (610)	360
12 (305)	12 (305)	360
12 (305)	24 (610)	720
24 (610)	24 (610)	1440

Part Number Matrix



Note: Plug not included

IMPORTANT: Temperature controller is required for this product. See page 10-1 for options.